

Avide Halogen Spot GU5.3 12V 42W 2000h

Product code: AHGU53WW-42W
Brand link: avidelighting.com/qr/AHGU53WW-42W
ID: AB-190518
Company name: Armin Trade Kft.
Company address: Kossuth utca 22 2/4, 4024 Debrecen



Date of issue: 2023-01-20

Page: 1/3

SPECIFICATIONS

EAN code: 5999562283844
Socket: GU5.3
Working temperature: -20 - +40 °C
Packaging: 1/b 200/c
Certifications: CE

TECHNICAL DETAILS

Wattage: 42W
Voltage: DC12V
Beam angle: 36°
Dimmability: Yes
Lumen output: 630lm
Color temperature: 3000K
Lifetime: 2 000h
Energy class: G
IP standard: IP20

BOX PICTURE



Avide Halogen Spot GU5.3 12V 42W 2000h

Product code:	AHGU53WW-42W
Brand link:	avidelighting.com/qr/AHGU53WW-42W
ID:	AB-190518
Company name:	Armin Trade Kft.
Company address:	Kossuth utca 22 2/4, 4024 Debrecen

QR code:



Date of issue: 2023-01-20

Page: 2/3

PRODUCT SIZE

Diameter:	50mm
Height:	45mm

CARDBOARD BOX

EAN:	5999562283844
Packaging:	1/b 200/c
Dimensions:	50mm x 50mm x 70mm
Net weight:	30g
Gross weight:	43g

CARTON

EAN:	5999562283868
Packaging:	1/b 200/c
Dimensions:	420mm x 285mm x 265mm
Net weight:	6kg
Gross weight:	8.6kg

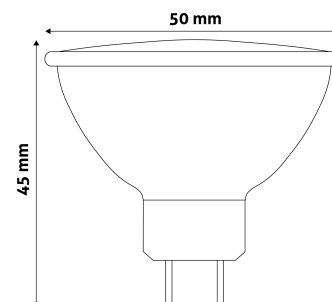
PALLET EXAMPLE

Height:	
Width:	120cm (std Euro pallet)
Depth:	80cm (std Euro pallet)
Cartons per pallet:	0carton/pallet
Cartons per row:	
Net weight:	0.03kg
Gross weight:	0.043kg

PRODUCT PICTURE



PRODUCT OUTLINE



Avide Halogen Spot GU5.3 12V 42W 2000h

Product code:	AHGU53WW-42W
Brand link:	avidelighting.com/qr/AHGU53WW-42W
ID:	AB-190518
Company name:	Armin Trade Kft.
Company address:	Kossuth utca 22 2/4, 4024 Debrecen

QR code:



Date of issue: 2023-01-20

Page: 3/3

PRODUCT DESCRIPTION

In order to protect the energy resources of the Earth, over recent years the European Union has continuously reduced and continues to reduce the opportunities for marketing traditional tungsten filament products.

Halogen technology is now widespread all over the world, providing an easily accessible light source for everyone. In line with recent trends, our products have an aesthetically pleasing and ergonomic design. In terms of their size and brightness, they resemble traditional light sources, moreover, they provide the same light but with 30% lower energy consumption. Being dimmable, the product can be customized based on personal preferences or features of the space to be lit.