

Avide LED Spot Alu+plastic 7W GU10 CW 6400K

Product code: ABGU10CW-7W-AP
Brand link: avidelighting.com/qr/ABGU10CW-7W-AP
ID: AB-190518
Company name: Armin Trade Kft.
Company address: Kossuth utca 22 2/4, 4024 Debrecen



Date of issue: 2023-01-20

Page: 1/3

SPECIFICATIONS

EAN code: 5999562288702
Warranty: 3year(s)
Socket: GU10
Working temperature: -20 - +40 °C
Packaging: 1/b 100/c 8400/p
Certifications: CE

TECHNICAL DETAILS

Wattage: 7W
Voltage: 220-240V
Beam angle: 100°
Dimmability: No
Lumen output: 630lm
Color temperature: 6 400K
Lifetime: 25 000h
Energy class: F
CRI: 80
IP standard: IP20

BOX PICTURE



Avide LED Spot Alu+plastic 7W GU10 CW 6400K

Product code: ABGU10CW-7W-AP
Brand link: avidelighting.com/qr/ABGU10CW-7W-AP
ID: AB-190518
Company name: Armin Trade Kft.
Company address: Kossuth utca 22 2/4, 4024 Debrecen



Date of issue: 2023-01-20
Page: 2/3

PRODUCT SIZE

Diameter: 50mm
 Height: 58mm

CARDBOARD BOX

EAN: 5999562288702
 Packaging: 1/b 100/c 8400/p
 Dimensions: 51mm x 50mm x 89mm
 Net weight: 35g
 Gross weight: 41.6g

CARTON

EAN: 5999562288719
 Packaging: 1/b 100/c 8400/p
 Dimensions: 280mm x 280mm x 272mm
 Net weight: 3.5kg
 Gross weight: 4.16kg

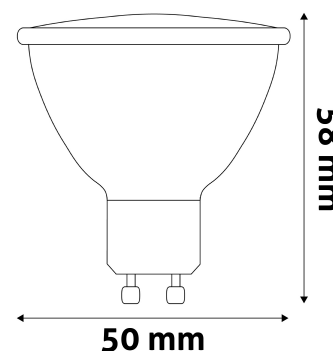
PALLET EXAMPLE

Height:
 Width: 120cm (std Euro pallet)
 Mepth: 80cm (std Euro pallet)
 Cartons per pallet: 84carton/pallet
 Cartons per row: 12pcs
 Net weight: 294kg
 Gross weight: 349.44kg

PRODUCT PICTURE



PRODUCT OUTLINE



Avide LED Spot Alu+plastic 7W GU10 CW 6400K

Product code:	ABGU10CW-7W-AP
Brand link:	avidelighting.com/qr/ABGU10CW-7W-AP
ID:	AB-190518
Company name:	Armin Trade Kft.
Company address:	Kossuth utca 22 2/4, 4024 Debrecen

QR code:



Date of issue: 2023-01-20

Page: 3/3

PRODUCT DESCRIPTION

Avide LED lights are high performance LEDs that can be used to replace traditional lightbulbs. They are the perfect option for replacing lighting solutions in households. They are available in various forms, including globes of various sizes, mini globe, stick, candle, spot, reflective, and capsule forms. All types of our bulbs are available in various color temperatures and different types of bases. Due to their low power consumption and long service life, they result in significant savings. They do not flash, sparing they eyes this way. Switching them on and off does not shorten their service life.

LED lights do not emit light by heating up a metal filament but by means of electrons, thus they have a minimal heat loss. You can save up to 80% energy compared to traditional light bulbs when using LED technology. LED lights produce minimal heat, thus they can also be used at places where heating might represent a hazard.

Some of the types are also available in a dimmable version as well as in a twin pack economical packaging form. Learn more about our full product range on the following link.