

## Avide (Triton-R) Bulkhead Lamp Round IP65 20W NW 4000K White

<b>Product code:</b>	ABBHL-R-20W-NW
<b>Brand link:</b>	<a href="http://avidelighting.com/qr/ABBHL-R-20W-NW">avidelighting.com/qr/ABBHL-R-20W-NW</a>
<b>ID:</b>	AB-190518
<b>Company name:</b>	Armin Trade Kft.
<b>Company address:</b>	Kossuth utca 22 2/4, 4024 Debrecen

QR code:



Date of issue: 2023-01-20

Page: 1/3

### SPECIFICATIONS

EAN code:	5999097915241
Warranty:	3year(s)
Color:	White
Material:	PC+ABS
Working temperature:	-20 - +40 °C
Packaging:	1/b 12/c 216/p
Certifications:	CE

### TECHNICAL DETAILS

Wattage:	20W
Voltage:	220-240V
Beam angle:	120°
Dimmability:	No
Lumen output:	1 700lm
Color temperature:	4 000K
Lifetime:	25 000h
Energy class:	
Type of LED:	SMD2835
CRI:	>80
IP standard:	IP65

### BOX PICTURE



## Avide (Triton-R) Bulkhead Lamp Round IP65 20W NW 4000K White

<b>Product code:</b>	ABBHL-R-20W-NW
<b>Brand link:</b>	<a href="https://avidelighting.com/qr/ABBHL-R-20W-NW">avidelighting.com/qr/ABBHL-R-20W-NW</a>
<b>ID:</b>	AB-190518
<b>Company name:</b>	Armin Trade Kft.
<b>Company address:</b>	Kossuth utca 22 2/4, 4024 Debrecen

QR code:



Date of issue: 2023-01-20

Page: 2/3

### PRODUCT SIZE

Width:	220mm
Height:	
Depth:	78mm

### CARDBOARD BOX

EAN:	5999097915241
Packaging:	1/b 12/c 216/p
Dimensions:	225mm x 85mm x 225mm
Net weight:	
Gross weight:	515g

### CARTON

EAN:	5999097915258
Packaging:	1/b 12/c 216/p
Dimensions:	530mm x 465mm x 245mm
Net weight:	
Gross weight:	6.18kg

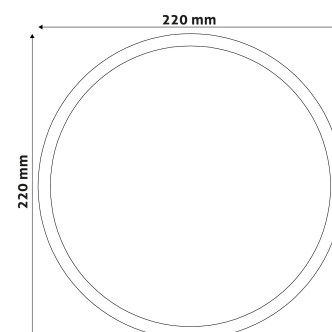
### PALLET EXAMPLE

Height:	
Width:	120cm (std Euro pallet)
Meptch:	80cm (std Euro pallet)
Cartons per pallet:	18carton/pallet
Cartons per row:	
Net weight:	
Gross weight:	111.24kg

### PRODUCT PICTURE



### PRODUCT OUTLINE



Avide (Triton-R) Bulkhead Lamp Round IP65 20W NW 4000K White

**Product code:** ABBHL-R-20W-NW  
**Brand link:** [avidelighting.com/qr/ABBHL-R-20W-NW](https://avidelighting.com/qr/ABBHL-R-20W-NW)  
**ID:** AB-190518  
**Company name:** Armin Trade Kft.  
**Company address:** Kossuth utca 22 2/4, 4024 Debrecen

QR code:



**Date of issue:** 2023-01-20

**Page:** 3/3

PRODUCT DESCRIPTION