

**Avide Smart LED GU10 5.5W RGB+W WIFI APP Control**

**Product code:** ASGU10RGBW-5.5W-WIFI  
**Brand link:** [avidelighting.com/qr/ASGU10RGBW-5.5W-WIFI](http://avidelighting.com/qr/ASGU10RGBW-5.5W-WIFI)  
**ID:** AB-190518  
**Company name:** Armin Trade Kft.  
**Company address:** Kossuth utca 22 2/4, 4024 Debrecen

**QR code:**



**Date of issue:** 2023-01-20

**Page:** 1/3

**SPECIFICATIONS**

**EAN code:** 5999097918105  
**Warranty:** 3year(s)  
**Socket:** GU10  
**Working temperature:** -20 - +40 °C  
**Packaging:** 1/b 10/x 50/c 1200/p  
**Certifications:** CE

**TECHNICAL DETAILS**

**Wattage:** 5.5W  
**Voltage:** 220-240V  
**Beam angle:** 240°  
**Dimmability:** Yes  
**Lumen output:** 350lm  
**Color temperature:** RGB+W  
**Lifetime:** 25 000h  
**Energy class:**  
**CRI:** 80  
**IP standard:** IP20

**BOX PICTURE**



## Avide Smart LED GU10 5.5W RGB+W WIFI APP Control

**Product code:** ASGU10RGBW-5.5W-WIFI  
**Brand link:** [avidelighting.com/qr/ASGU10RGBW-5.5W-WIFI](https://avidelighting.com/qr/ASGU10RGBW-5.5W-WIFI)  
**ID:** AB-190518  
**Company name:** Armin Trade Kft.  
**Company address:** Kossuth utca 22 2/4, 4024 Debrecen

QR code:



Date of issue: 2023-01-20

Page: 2/3

### PRODUCT SIZE

Diameter: 50mm  
Height: 55mm

### CARDBOARD BOX

EAN: 5999097918105  
Packaging: 1/b 10/x 50/c 1200/p  
Dimensions: 180mm x 180mm x 60mm  
Net weight: 58g  
Gross weight: 112g

### CARTON

EAN: 5999097918112  
Packaging: 1/b 10/x 50/c 1200/p  
Dimensions: 430mm x 200mm x 790mm  
Net weight: 2.9kg  
Gross weight: 5.6kg

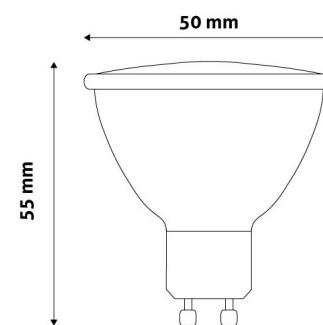
### PALLET EXAMPLE

Height:  
Width: 120cm (std Euro pallet)  
Mepth: 80cm (std Euro pallet)  
Cartons per pallet: 24carton/pallet  
Cartons per row:  
Net weight: 69.6kg  
Gross weight: 134.4kg

### PRODUCT PICTURE



### PRODUCT OUTLINE



## Avide Smart LED GU10 5.5W RGB+W WIFI APP Control

<b>Product code:</b>	ASGU10RGBW-5.5W-WIFI
<b>Brand link:</b>	<a href="https://avidelighting.com/qr/ASGU10RGBW-5.5W-WIFI">avidelighting.com/qr/ASGU10RGBW-5.5W-WIFI</a>
<b>ID:</b>	AB-190518
<b>Company name:</b>	Armin Trade Kft.
<b>Company address:</b>	Kossuth utca 22 2/4, 4024 Debrecen



**QR code:**

**Date of issue:** 2023-01-20

**Page:** 3/3

### PRODUCT DESCRIPTION

Unleash your imagination and create the lighting effects that best suit your environment and mood.

The Avide SMART LED product line's WIFI models enable you to control your lights from your iOS/Android device. To do so, you only need to download and install the "Smart Life" app. Using the app, you may pick RGB and white colors ranging from extra warm white to cool white. The product is suitable for both mood lighting and use as a main light. Several LEDs may be controlled simultaneously, they can be grouped within the app based on their type or the rooms in which they are located, thus they can be adjusted quickly to your mood. Our product range includes Smart LEDs with different forms and bases.

Connect the product to your home WiFi network and control the lights from anywhere using the Smart Life app. Enjoy the advantages of remote access.

A timing option for switching on and off is available for Avide Smart LED bulbs. Using a variety of themes they can be customized, thus you may even create the mood of a sunrise in your own bedroom. In the "Scene" menu of the app various lighting profiles can be created.

You may find the detailed operating instructions in the box.

Our smart category includes numerous additional products. Learn more about these on the following link.